

Model H340AJ

HYBRID ARTICULATING BOOM LIFTS



MORE ECONOMIC

- Hybrid diesel and electric technology for low emissions and noise.

MORE PRODUCTIVE

- Enjoy outstanding terrainability with independent AC drive motors.

MORE ACCESS

- Conquer rough terrain with standard oscillating axle and four-wheel drive, delivering optimised grip and stability.

SMART DESIGN

- Reduce maintenance with an all steel turntable hood to protect components.



Standard Features

- 355 Degree Non-Continuous Swing
- Platform 0.76m x 1.52m (30in x 60in) Side Entry
- 180 Degree Hydraulic Platform Rotator
- Platform Console Machine Status Light Panel*
- AC cable to Platform
- 3 degree Tilt Alarm/Indicator Light
- 9 x 20 Lug Tread Foam filled 9 x 20 lug tread tyres
- Swing-Out Engine Tray
- Gull-Wing Steel Turntable Hoods
- Hourmeter
- Proportional Controls
- Control ADE® System
- Lifting/Tie Down Lugs
- Horn
- Oscillating Axle
- Cast Aluminum Control Box
- All Motion Alarm
- 3000W DC to AC Inverter

* Provides indicator lights at platform control console for system distress, low fuel, 3 degree tilt light, and foot switch status.

Standard Specifications

Power	
• Diesel Engine	Kubota Z482 8.3 kW
• Fuel Tank Capacity	49 L
• Batteries	100 AH
Tyres	
• Standard	9 x 20 foam filled lug tread
• Optional	9 x 20 foam filled non mark
Hydraulic System	
• Tank Capacity	19 L

Accessories & Options

- 0.76 m x 1.22 m slide bar side entry platform
- 13 mm airline to platform
- 9 x 20 Non-Marking Foam-Filled Tires
- 7 x 18 Solid Cushion Lug Tread Tires
- 7 x 18 Non-marking Solid Cushion Lug
- Platform Worklights
- Hostile Environment Kit
- Flashing Amber Beacon
- Synthetic Biodegradable Hydraulic Oil
- 0.76 m x 1.22 m Self closing inward swing gate
- Euro plugs and sockets
- On-board 3000W Inverter
- JLG Skyguard active system with beacon
- JLG Skyguard active system without beacon
- Spark Arresting Catalytic Exhaust Purifier
- All motion alarm
- Light package
- Head & Tail Lights
- Programmable 4 digit security lock
- Special paint colour

Model H340AJ

HYBRID ARTICULATING BOOM LIFTS

Performance

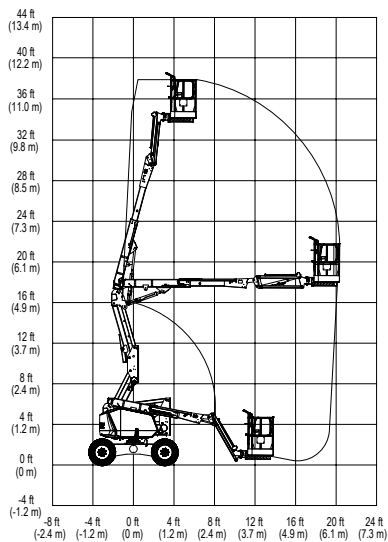
- Platform Height 10.33m
- Working Height 12.33m
- Horizontal Outreach 6.06 m
- Up and Over Height 5.17 m
- Swing 355 Degrees Non-Continuous
- Platform Capacity 230 kg
- Platform Size 0.76 x 1.52 m
- Platform Rotator 180 Degrees Hydraulic
- Jib 1.22 m
 - A. Platform Size 0.76 m x 1.52 m
 - B. Overall Width 1.93 m
 - C. Tailswing (working condition) 5 cm
 - D. Stowed Height 2.00 m
 - E. Stowed Length² 5.52 m
 - F. Wheelbase 1.87 m
 - G. Ground Clearance 0.24 m
- Range of Articulation 144 degrees (+84, -60)
- Weight¹ 4,660 kg
- Max. Ground Bearing Pressure (with Pneumatic Tires) 4.7 kg/cm²
- Drive Speed 5.9 km/hr
- Gradeability 45%
- Turning Radius
- Inside 1.52 m
- Outside 3.96 m

¹ Certain options or country standards may increase weight and/or dimensions.

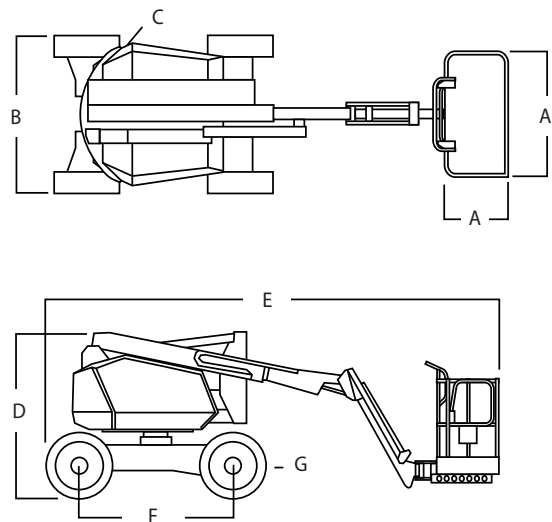
² May be reduced to 3.98 m for storage / transport.



Reach Diagram



Dimensions



IMPORTANT

JLG is continually researching and developing products and reserves the right to make modifications without prior notice. All data in this document is indicative. Certain options or country standards will increase weight. Specifications may change to meet country standards or with the addition of optional equipment.

Use only JLG approved attachments with proper material handler model/attachment load capacity charts displayed in the operator's cab.

Due to continuous product improvements, JLG Industries reserves the right to make specification and/or equipment changes without prior notification.